

**Features:**

Long electrical life cycles.  
Choice of colored caps.  
Choice of painted colored caps.  
Laser marking service.  
Available with small quantity order.

**产品特点:**

超高亮LED照光，耐久鲜明  
客制化帽盖选择  
喷漆色盖、镭射雕刻服务  
手感绝佳，质量可靠

**使用范围：**

音频、视频产品  
仪器、通讯设备等...

**Applications:**

Audio/Video products .  
Instrumentation.  
Communication equipments...etc

## Applications

- Audio/Video products
- Instrumentation
- Communication equipments ... etc.

## General Specifications: (产品规格)

- Circuit: Momentary Type, SPST
- Contact Rating: Max.: 1mA 20V DC or 5mA 5V DC  
Min.: 1mA 5V DC
- Contact Resistance: 200Ω Max. 5V DC/ 1 mA,  
by method of Voltage drop
- Insulation Resistance: 100MΩ Min. 100V DC
- Dielectric Strength: Breakdown is not allowable; 250V AC for 1 minute
- Actuation Force: 125 ±35gf
- Operating Life: 300,000 cycles Min.
- Operating Temperature: -20°C to 70°C

## Material: (产品材质)

- Cap: Polycarbonate(PC)
- Actuator: Polyamide(PA)+GF
- Base Frame: Polyamide(PA)+GF
- Terminal: Brass with gold plating

## LED Specifications:

Color	V	Recommended Operating Current	VF	
			Nom	Max
Red	DC 5V	20mA	20mA	1.7V 2.4V
Green	DC 5V	20mA	20mA	1.9V 2.4V
Yellow	DC 5V	20mA	20mA	1.9V 2.4V
Blue	DC 5V	20mA	20mA	3.0V 3.6V
White	DC 5V	20mA	20mA	3.0V 3.6V

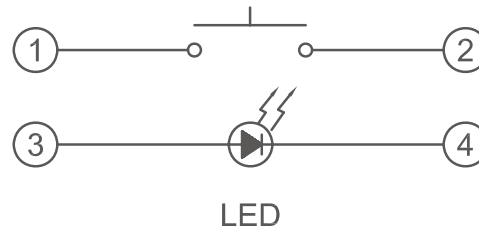
For the specification about the other LEDs, please contact with sales department

## HOW TO ORDER

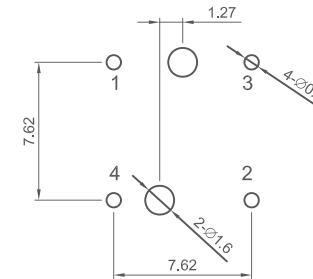
SERIES	OPERATION	POLE	LED COLOR	LED BRIGHTNESS	LED COLOR	LED BRIGHTNESS	ACTUATOR	CAP TYPE	CAP COLOR	CAP SYMBOL
TL3	N	1	R	1	N	2	A	A	T	P5
	N=MOMENTARY	1=1 POLE	B=BLUE G=GREEN R=RED Y=YELLOW W=WHITE N=NONE	1=STANDARD 2=HIGH N=NONE	B=BLUE G=GREEN R=RED Y=YELLOW W=WHITE N=NONE	1=STANDARD 2=HIGH N=NONE	A=A TYPE	A=6.0mm sq B=8.6mm sq C=11.0mm sq D=11.0mm ro D-A=12mm sq E=15mm sq F=17.4mm sq	T=TRANSPARENT W=WHITE R=RED G=GREEN B=BLUE	

CAP Symbol: Please refer to cap selection for all available symbols on cap surface, and any customization is welcomed

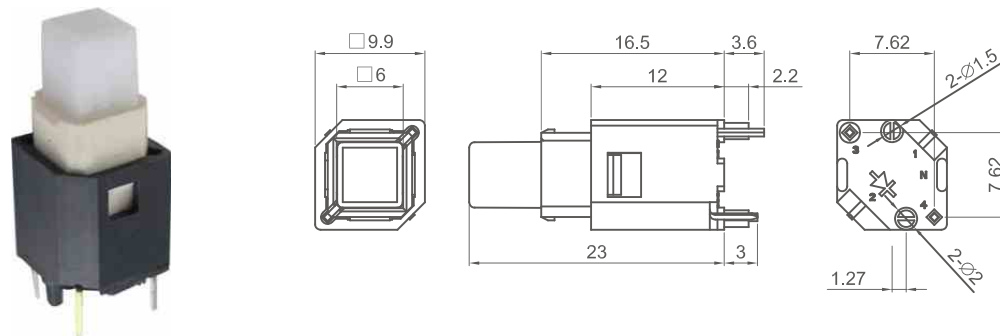
## CIRCUIT



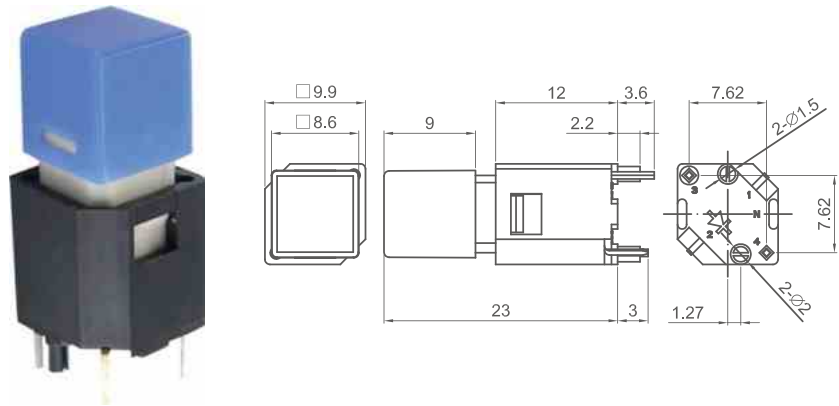
## P. C. B LAYOUT



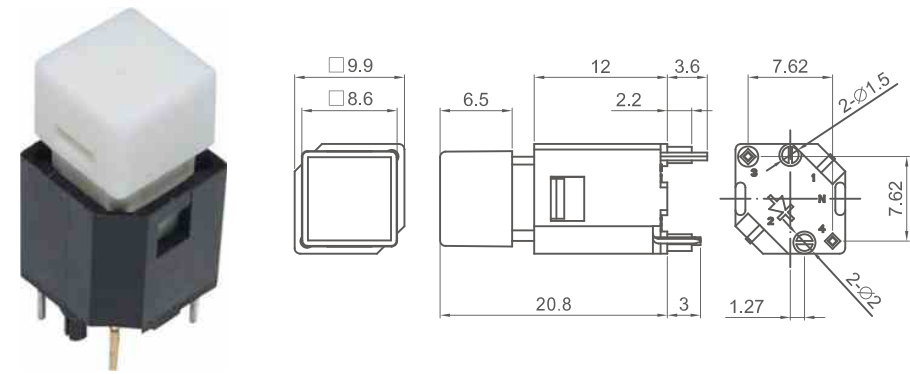
## TL3-N1W1NN-AAW



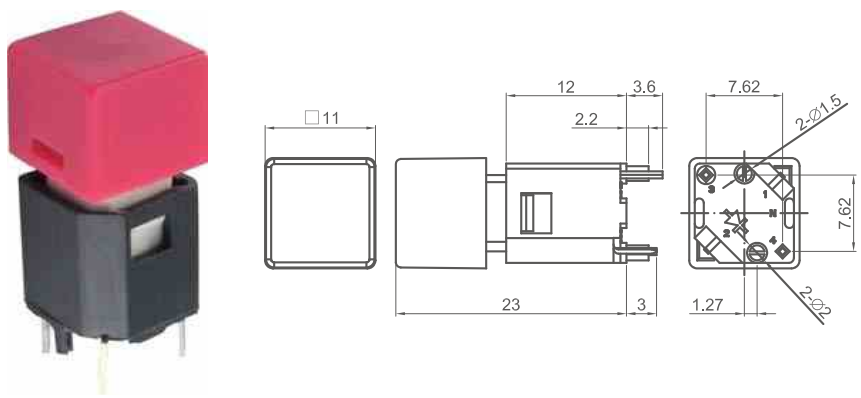
TL3-N1B1NN-ABB



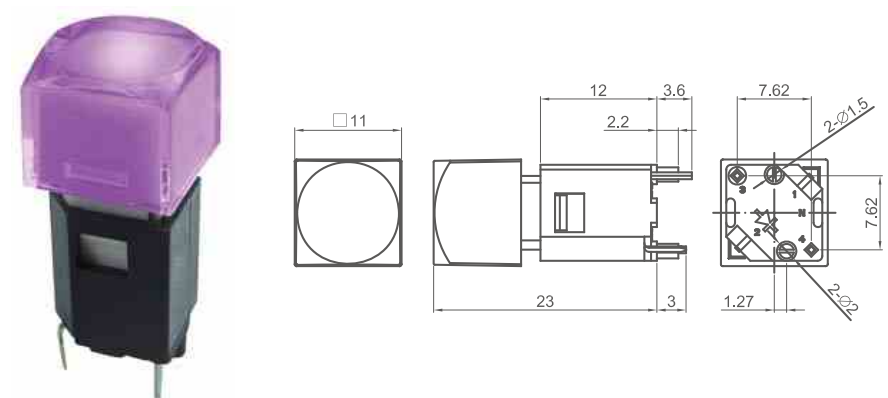
TL3-N1W1NN-AB1W



TL3-N1R1NN-ACR



TL3-N1B1NN-ADT

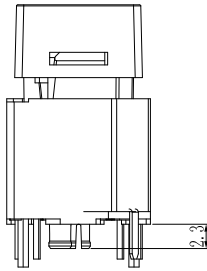
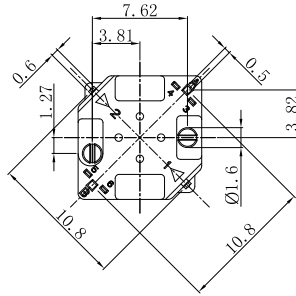
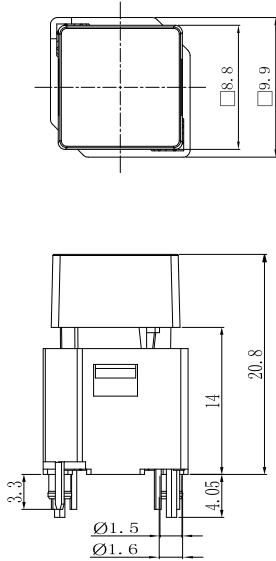
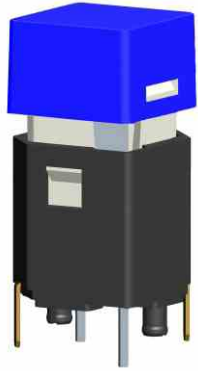


LED ILLUMINATED TACTILE SWITCH

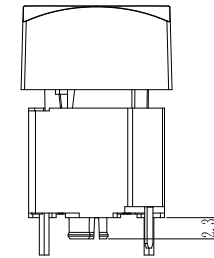
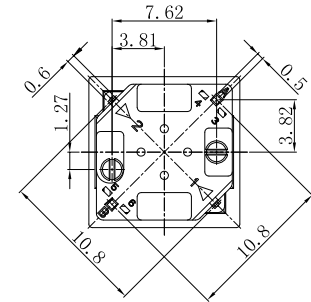
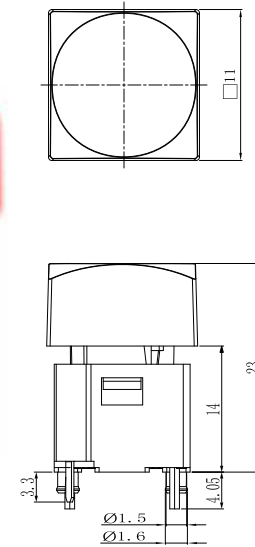


# TL3

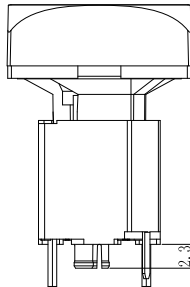
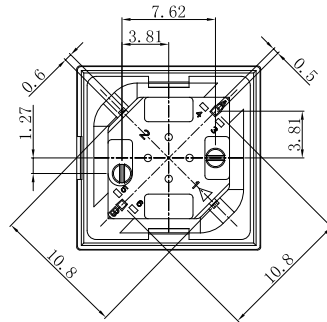
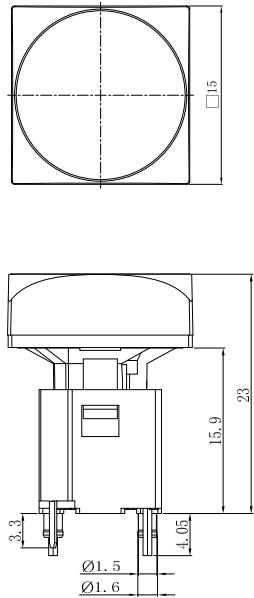
## TL3-N1B1NN-AB1W



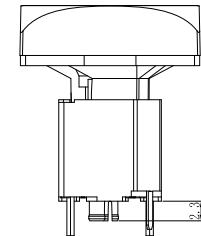
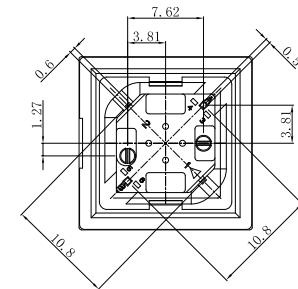
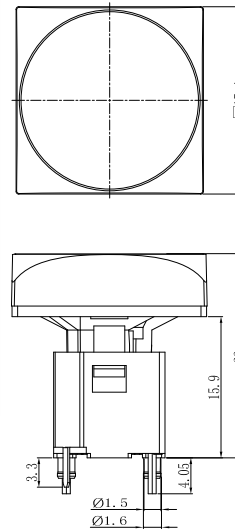
## TL3-N1R1NN-ADT



## TL3-N1G1NN-AET



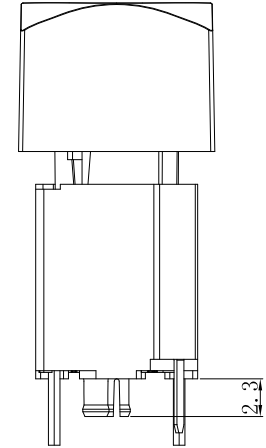
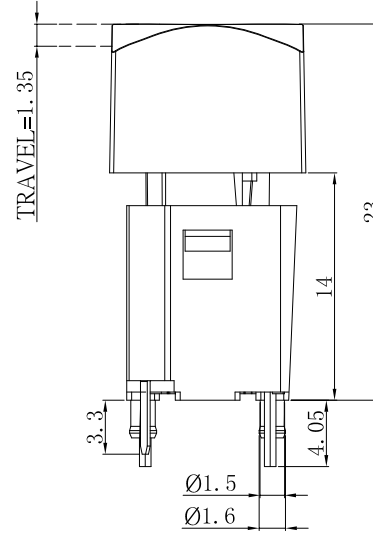
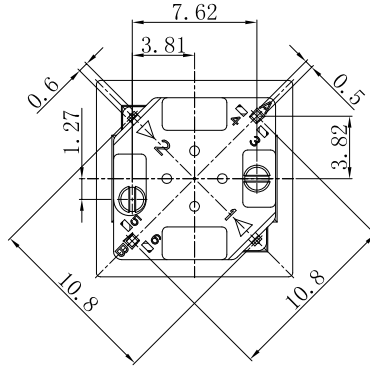
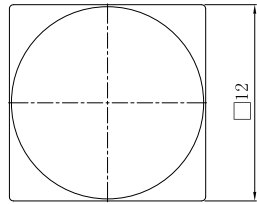
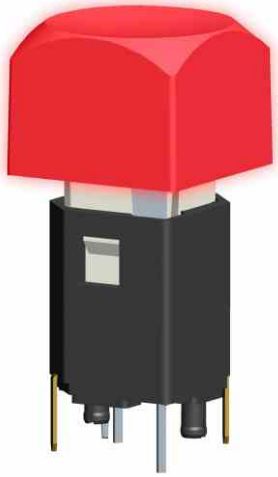
## TL3-N1B1NN-AFT



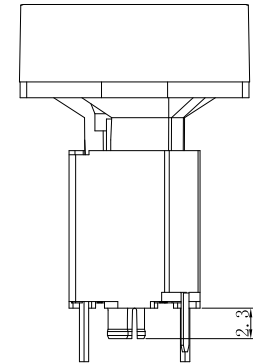
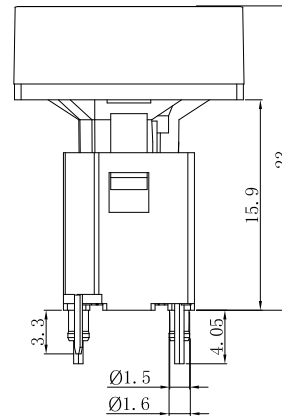
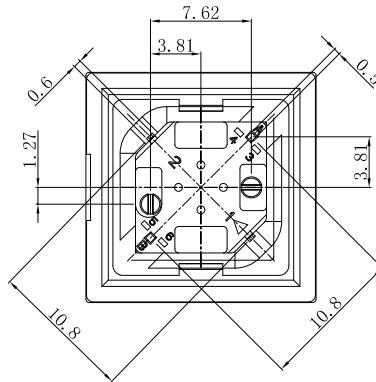
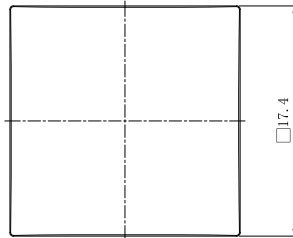
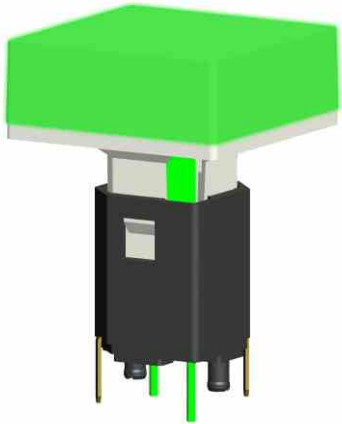
**i** TL3

LED ILLUMINATED TACTILE SWITCH

**TL3-N1R1NN-ADT-A**



**TL3-N1G1NN-AF1T**



# *Laser Service*

先进镭射雕刻服务，精密不失真。

## **Feature:**

Lak-View's products are always the best choice and provide additional product value.

We focus interest, make the product recognizable and improve product image.

Customers can make pattern, logo, characters and even the design on their own.

Convenience, Short time to market, Quality, Beauty and more than one hundred kinds of designs are available to satisfy our customers.

No expenses for ink or additional materials due to laser printing. Does not fade or change color.

## **Application:**

Public building, Security system, Business building, Industrial equipment, Communication equipments, Audio/Video products...etc.

# CAP Symbol



	0	1	2	3	4	5	6	7	8	9	10	11	12	13	14	15	16	17	18	19	
A	0	1	2	3	4	5	6	7	8	9	10	11	12	13	14	15	16	17	18	19	
B	A	B	C	D	E	F	G	H	I	J	K	L	M	N	O	P	Q	R	S	T	
C	U	V	W	X	Y	Z	V1	V2	V3	V4	V5	V6	V7	V8	V9	F1	F2	F3	F4	F5	
D	F6	F7	GO	OK	WIN	ESC	MENU	BRIGHT	LAYOUT	TAKE	INVERT	LIGHT	SDI	VGA	DVI	PIP	P/F	Out-K	In-A	In-B	
E	M1	SAVE	SPLIT	HDMI	LOAD	Set	Menu	Win	In	Out	Load	Save	RTMP	PGM1	PGM2	PVW	MIX	PUSH	COVER	WIPE	
F	V1 ▲	VGA ◀	H1 ▼	H2 ▶	DVI ①	HDMI ②	EXT1 ③	EXT2 ④	VGA ⑤	CVBS ⊖	M6 Ⓢ	DDR1 PLAY	PPT On\Off	REC PGM	DDR2 PLAY	PAGE UP	PAGE DOWN	M Prew Switch	In-A K-Out1	Overlay Fade	
G	TAKE 0	VID1 1	VID2 2	VGA1 3	VGA2 4	HDMI 5	FREEZE SAVE	RETURN SHIFT	BLACK ERASE	Auto Take	Bypass	Freeze	Mosaic	VOLUME UP ▲	VOLUME DOWN ▼	SELECT TRANS	INPUT SETUP	PTZ PRESET	PLAY BACK	REAL TIME	
H	In1	In2	In3	In4	M+	M1	M2	M3	CH1	CH2											ROHS compliant
I																					
J																					
K																					
L																					
M																					
N																					