

多样换盖，完美呈现

Multiple LED color options are available Perfectly Poise



Features:

- Small size.
- Right angle and vertical PCB fermal
- Choice of painted colored caps.
- Laser marking service.
- Available with small quantity order.

产品特点

- 小巧精品
- 经典90度直角设计
- 客制化帽盖选择，喷漆色盖&镭射雕刻服务
- 可少量订购

Applications

- Studio equipment.
- Audio/Video products,
- Broadcast system,
- Instrumentation,.
- Telecommunications ...etc.

使用范围

- 音响、影像等录音室器材设备
- 广播系统、电信仪器设备

PLA

General Specifications: (产品规格)

Circuit: 1P2T, 2P2T Lock/Non-lock action with led

Contact Rating: 0.1A 30V DC/0.1mA 5V DC

Contact Resistance: 50mΩ Max. 1.5V DC/ 100 mA,
by method of votage drop

Insulation Resistance: 100mΩ Min. 500 V DC

Dielectric Strength: Breakdown is not allowable;
500V AC for 1 minute

Actuation Force: 250 ± 100gf

Total Travel: 1.5mm ± 0.3mm

Operating Life: 50,000 cycles

Operating Temperature: -20° C to 70° C

Material: (产品材质)

Frame: Polyamide(PA)+GF

Actuator: Polyamide(PA)+GF

Base: Polyamide(PA)+GF

Terminal: Brass with silver plating

LED Specifications:

Color	V		Recommended Operating Current	VF	
				Nom	Max
Red	DC 5V	20mA	20mA	1.7V	2.4V
Green	DC 5V	20mA	20mA	1.9V	2.4V
Yellow	DC 5V	20mA	20mA	1.9V	2.4V
Blue	DC 5V	20mA	20mA	3.0V	3.6V
White	DC 5V	20mA	20mA	3.0V	3.6V

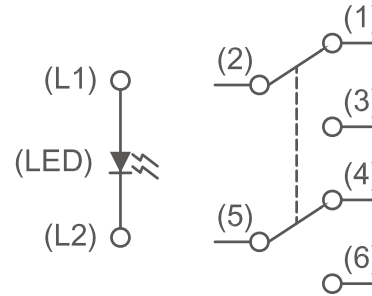
For the specification about the other LEDs, please contact with sales department

HOW TO ORDER

SERIES	OPERATION	POLE	TERMINAL	LED COLOR	LED BRIGHTNESS	LED COLOR	LED BRIGHTNESS	FRAME TYPE	FRAME COLOR	CAP COLOR	CAP SYMBOL
PLA	N	2	P	R	1	R	1	S1	K	T	P5
	N=NON-LOCK L=LOCK TYPE	1=1 POLE 2=2 POLE	P=PCB TYPE R=RIGHT ANGLE TYPE R1=R1 TYPE R2=R2 TYPE	B=BLUE G=GREEN R=RED Y=YELLOW W=WHITE N=NONE	1=STANDARD 2=HIGH N=NONE	B=BLUE G=GREEN R=RED Y=YELLOW W=WHITE N=NONE	1=STANDARD 2=HIGH N=NONE	S1=S1 sq S2=S2 sq S3=S3 sq R1=R1 ro R2=R2 ro R3=R3 ro R4=R4 ro N=NONE	K=BLACK W=WHITE A=GRAY N=NONE	T=TRANSPARENT R=RED G=GREEN B=BLUE Y=YELLOW S=SILVER N=NONE	

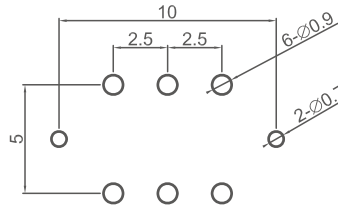
CAP Symbol: Please refer to cap selection for all available symbols on cap surface, and any customization is welcomed

CIRCUIT

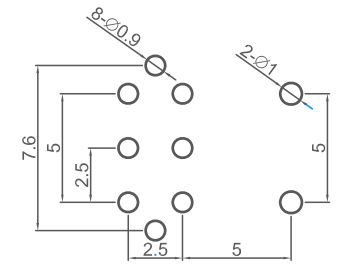


P. C. B LAYOUT

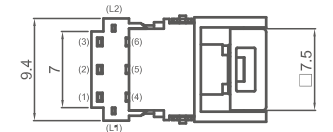
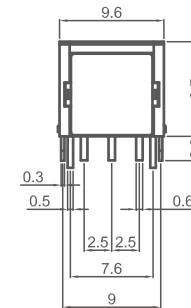
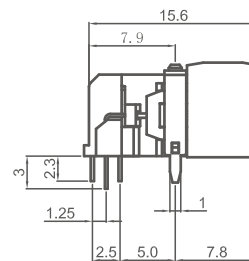
STANDARD TYPE



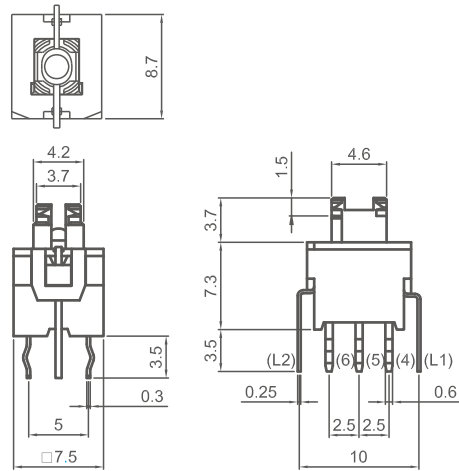
RIGHT ANGLE TYPE



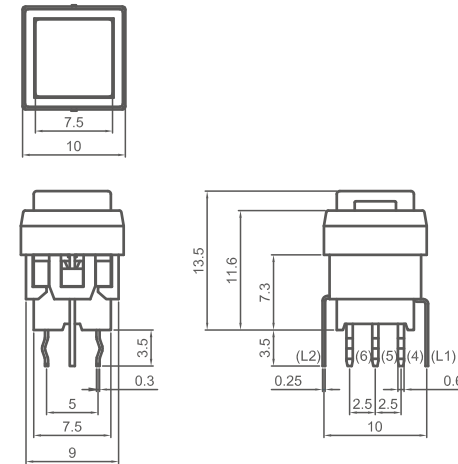
PLA-N2R2-G1NN-S1KT



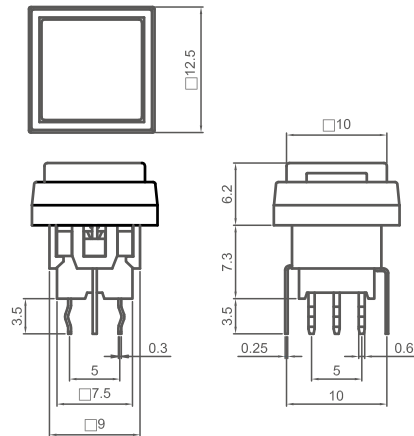
PLA-N2P-R1NN-NNN



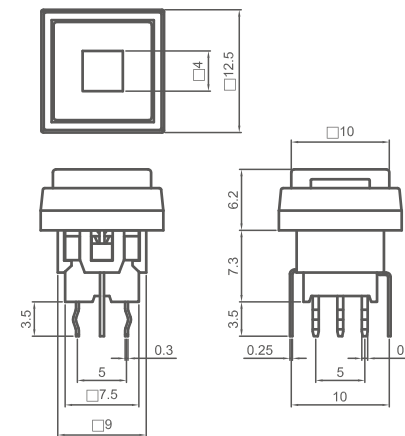
PLA-N2P-B1NN-S1KT



PLA-N2P-Y1NN-S2KT

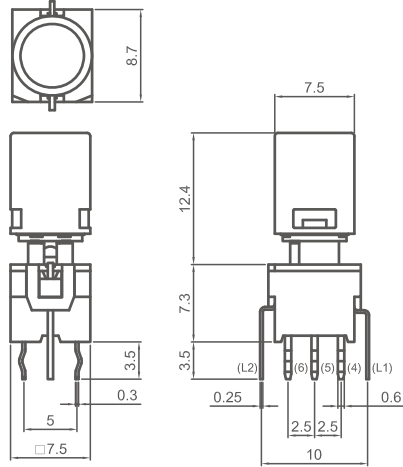


PLA-N2P-R1NN-S3KK

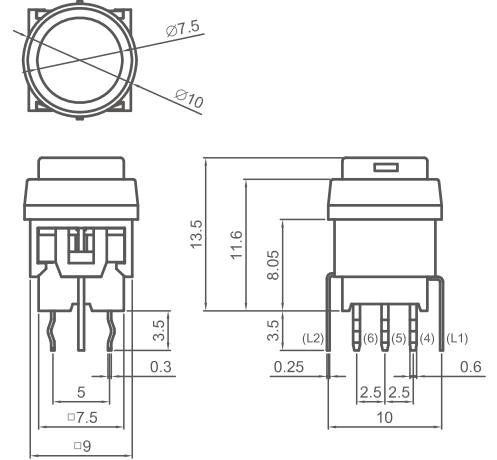


i PLA

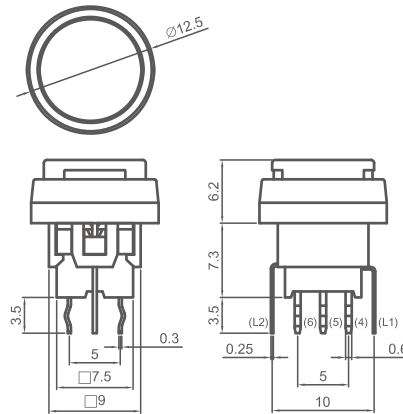
PLA-N2P-Y1NN-R1NT



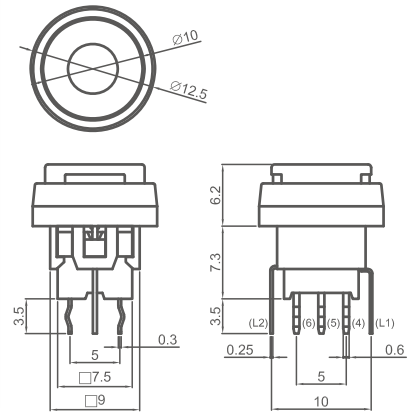
PLA-N2P-Y1NN-R2KT



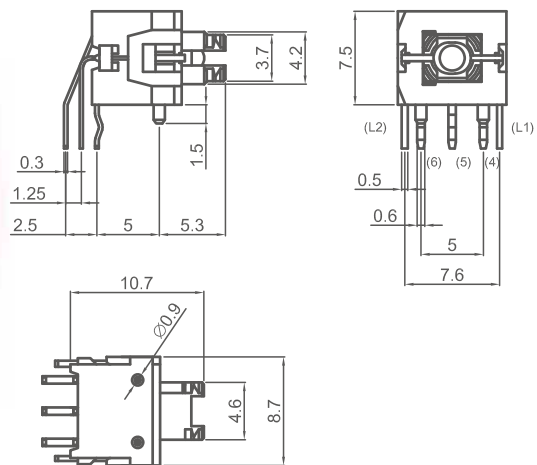
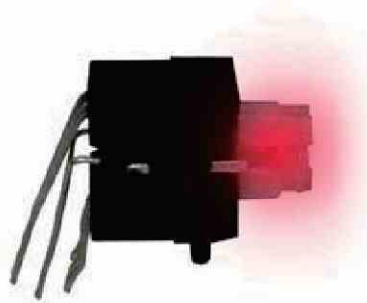
PLA-N2P-B1NN-R3KT



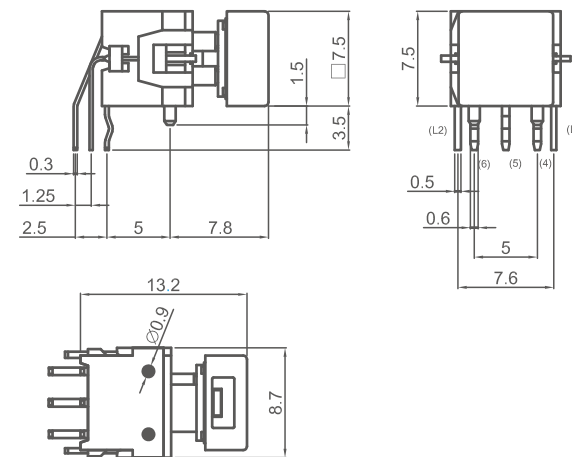
PLA-N2P-Y1NN-R4KK



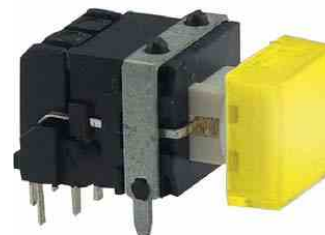
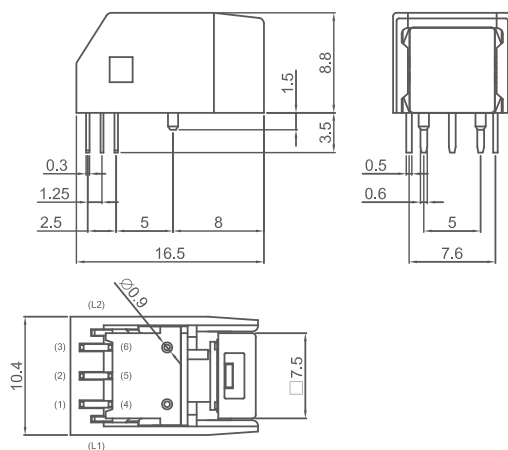
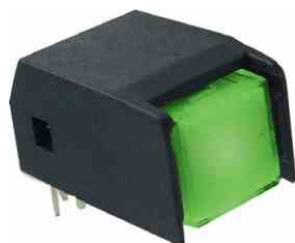
PLA-N2R-R1NN-NNN ::



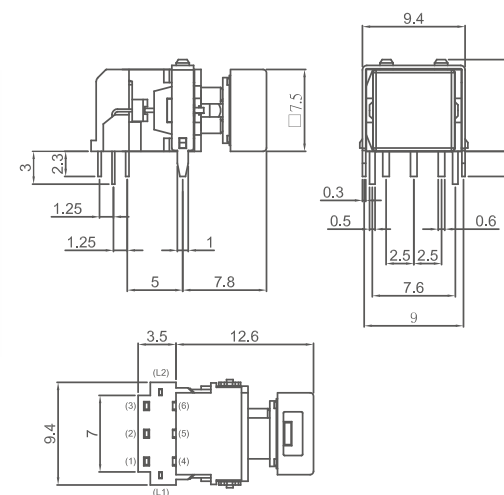
PLA-N2R-R1NN-S1NT ::



PLA-N2R-G1NN-S1KT ::



PLA-N2R1-Y1NN-S1KT ::





Laser Service

先进镭射雕刻服务，精密不失真。

Feature:

Lak-View's products are always the best choice and provide additional product value.

We focus interest, make the product recognizable and improve product image.

Customers can make pattern, logo, characters and even the design on their own.

Convenience, Short time to market, Quality, Beauty and more than one hundred kinds of designs are available to satisfy our customers.

No expenses for ink or additional materials due to laser printing. Does not fade or change color,.

Application:

Public building, Security system, Business building, Industrial equipment, Communication equipments, Audio/Video products...etc.

CAP Symbol



	0	1	2	3	4	5	6	7	8	9	10	11	12	13	14	15	16	17	18	19	
A	0	1	2	3	4	5	6	7	8	9	10	11	12	13	14	15	16	17	18	19	
B	A	B	C	D	E	F	G	H	I	J	K	L	M	N	O	P	Q	R	S	T	
C	U	V	W	X	Y	Z	V1	V2	V3	V4	V5	V6	V7	V8	V9	F1	F2	F3	F4	F5	
D	F6	F7	GO	OK	WIN	ESC	MENU	BRIGHT	LAYOUT	TAKE	INVERT	LIGHT	SDI	VGA	DVI	PIP	P/F	Out-K	In-A	In-B	
E	M1	SAVE	SPLIT	HDMI	LOAD	Set	Menu	Win	In	Out	Load	Save	RTMP	PGM1	PGM2	PVW	MIX	PUSH	COVER	WIPE	
F	V1 ▲	VGA ◀	H1 ▼	H2 ▶	DVI ①	HDMI ②	EXT1 ③	EXT2 ④	VGA ⑤	CVBS ⊖	M6 Ⓢ	DDR1 PLAY	PPT On/Off	REC PGM	DDR2 PLAY	PAGE UP	PAGE DOWN	M Prew Switch	In-A K-Out1	Overlay Fade	
G	TAKE 0	VID1 1	VID2 2	VGA1 3	VGA2 4	HDMI 5	FREEZE SAVE	RETURN SHIFT	BLACK ERASE	Auto Take	Bypass	Freeze	Mosaic	VOLUME UP ▲	VOLUME DOWN ▼	SELECT TRANS	INPUT SETUP	PTZ PRESET	PLAY BACK	REAL TIME	
H	In1	In2	In3	In4	M+	M1	M2	M3	CH1	CH2										RoHS compliant	
I																					
J																					
K																					
L																					
M																					
N																					