



TL2

小巧精品，安静无声

Exquisite Fine Quality, Silent operation



产品特点：

超高亮LED照光，耐久鲜明
客制化帽盖选择，喷漆色盖、镭雕雕刻服务
提供轻触型跟无声型
具防尘结构，保护触电清洁

Features:

Super bright LED of single, Dual or RGB colors available
Choice of colored caps.
Choice of painted colored caps
Laser marking service.
Available with Tactile or Silent feeling.
With silicon dust cover to keep contact point clean.

使用范围：

时尚消费产品
电脑周边
仪器通讯、居家...等

Applications

Consumer products
Computer products
Instrumentation
Communication equipments
Home Security...etc.

Applications : (使用范围)

Consumer products	时尚消费产品
Computer products	电脑周边
Instrumentation	仪器通讯
Communication equipments	居家
Home Security ... etc.	

General Specifications: (产品规格)

Contact Rating: 50mA 12V DC
Contact Resistance: 100mΩ Max. (initial)
Insulation Resistance: 100MΩ Min.500V DC
Dielectric Strength:Breakdown is not allowable; 500V AC for 1 minute
Actuation Force: 180 ±50gf
Total Travel:0.2mm±0.1mm
Operating Life: 500,000 cycles Min.
Operating Temperature: -20°C to 70°C

Material: (产品材质)

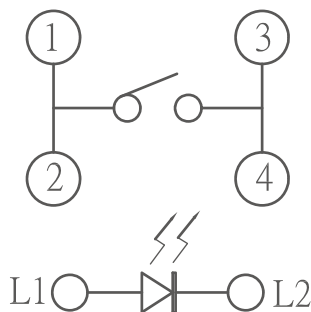
Cover: Polyamide(PA)
Actuator: Polyamide(PA)+GF
Base Frame:Polyamide(PA)+GF
Terminal:Brass with silver plating

HOW TO ORDER

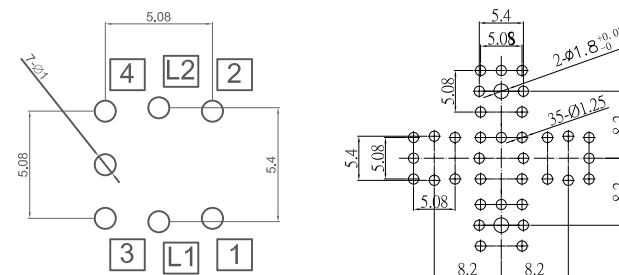
SERIES	FRAME TYPE	FRAME COLOR	CAP TYPE	CAP COLOR	LED COLOR	LED BRIGHTNESS	LED COLOR	LED BRIGHTNESS	TERMINAL	CAP SYMBOL
TL2	S	A	S	A	R	1	N	2		
	S=SQUARE S1=S1 sq S2=S2 sq S3=S3 sq R=ROUND R1=R1 ro R2=R2 ro R3=R3 ro N=NONE	K=BLACK W=WHITE A=GRAY N=NONE	S=SQUARE S1=S1 sq S2=S2 sq S3=S3 sq R=ROUND R1=R1 ro R2=R2 ro R3=R3 ro N=NONE	T=TRANSPARENT R=RED W=WHITE K=BLACK A=GRAY S=SILVER N=NONE	B=BLUE G=GREEN R=RED Y=YELLOW W=WHITE N=NONE	1=STANDARD 2=HIGH N=NONE	B=BLUE G=GREEN R=RED Y=YELLOW W=WHITE N=NONE	1=STANDARD 2=HIGH N=NONE	—=P.C.B TYPE S=SMT TYPE	

CAP Symbol:Please refer to cap selection for all available symbols on cap surface,and any customization is welcomed

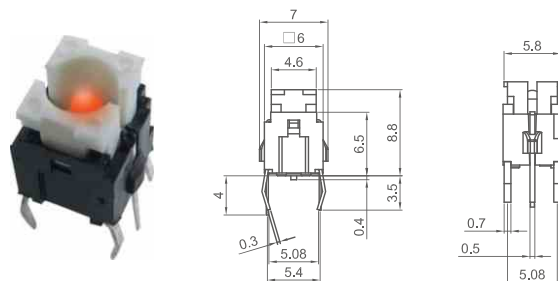
CIRCUIT



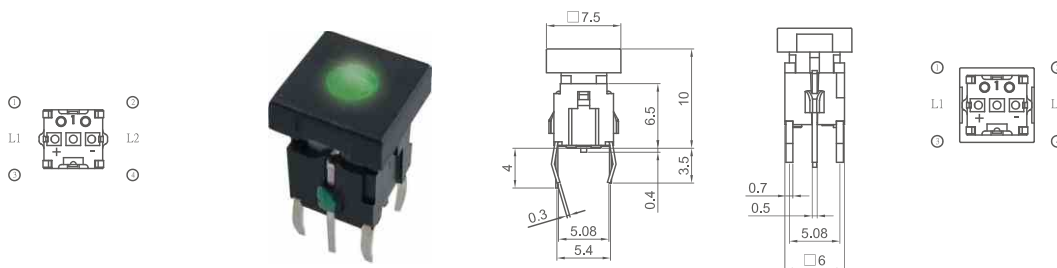
P. C. B LAYOUT



TL2-NNNN-R1NN



TL2-NNSK-G1NN

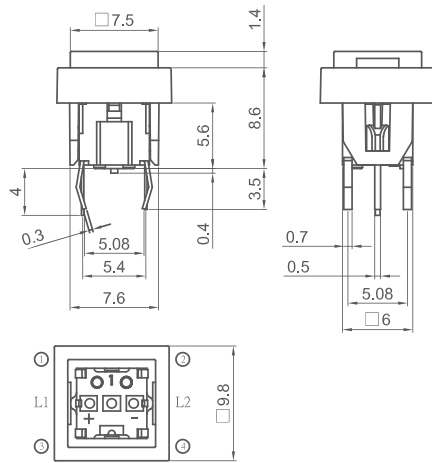




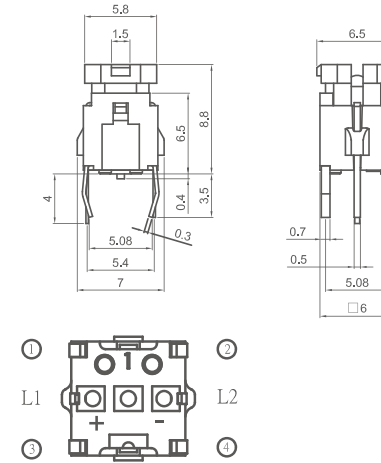
TL2

LED ILLUMINATED TACTILE SWITCH

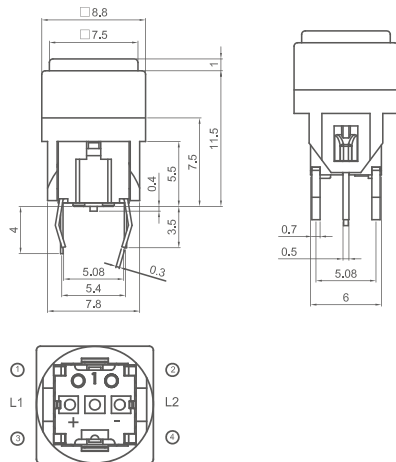
TL2-SKSK-Y1NN



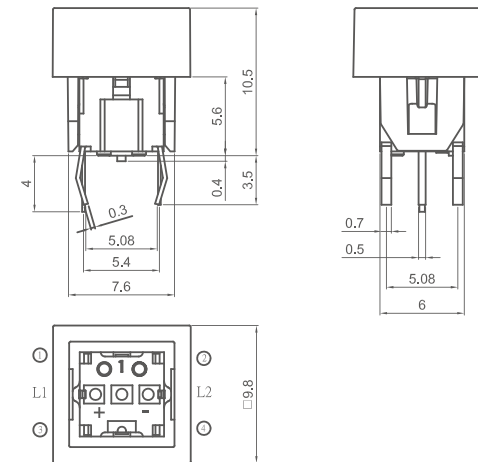
TL2-S1NNN-R1NN



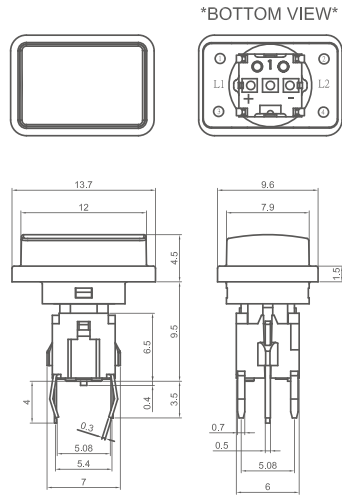
TL2-S1KS1T-Y1NN



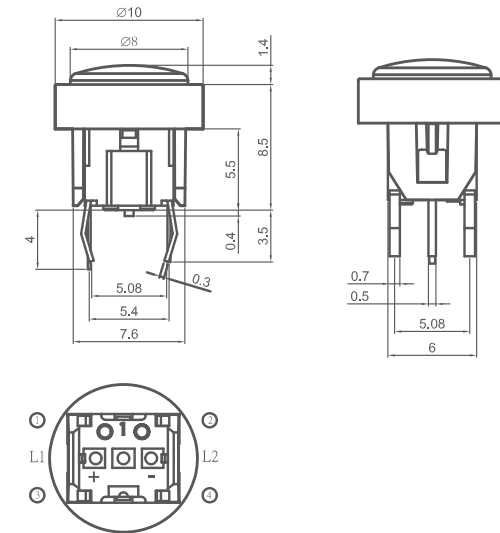
TL2-S2KS2T-W1NN



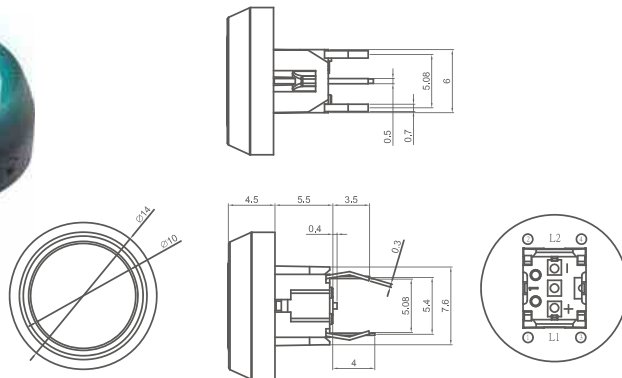
TL2-NNS3W-Y1NN



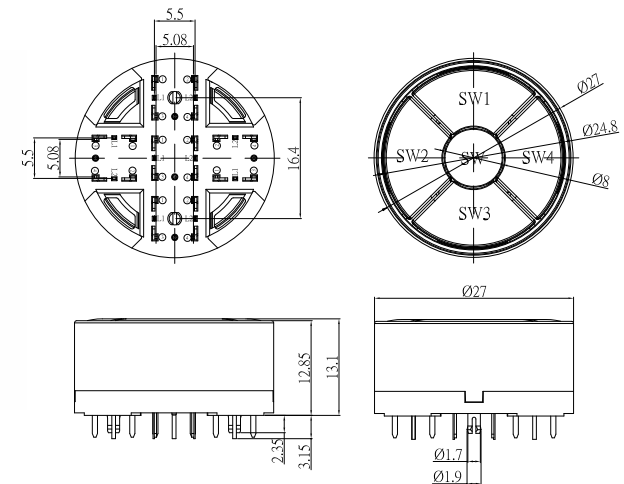
TL2-RKRW-G1NN



TL2-R1KR1W-B1NN



TL2-5-A

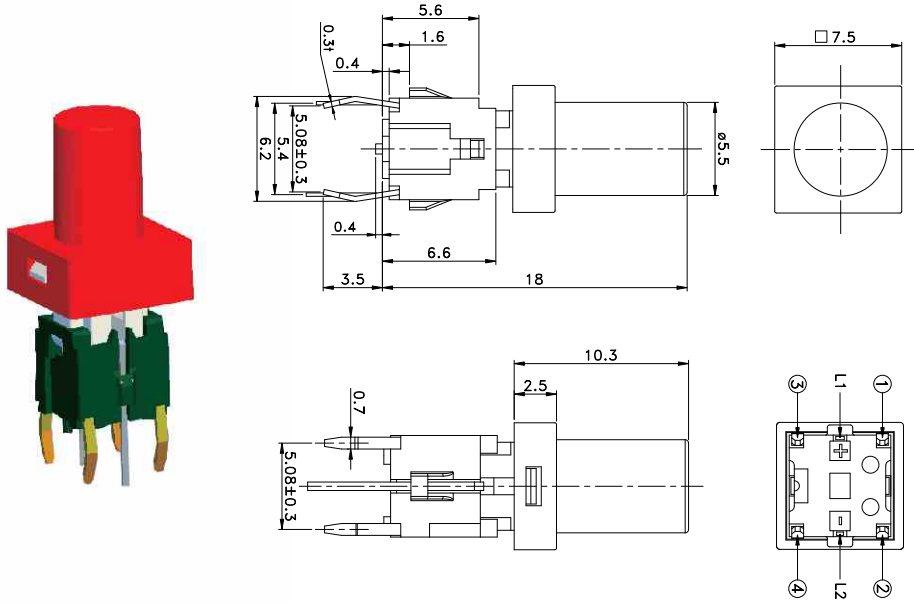




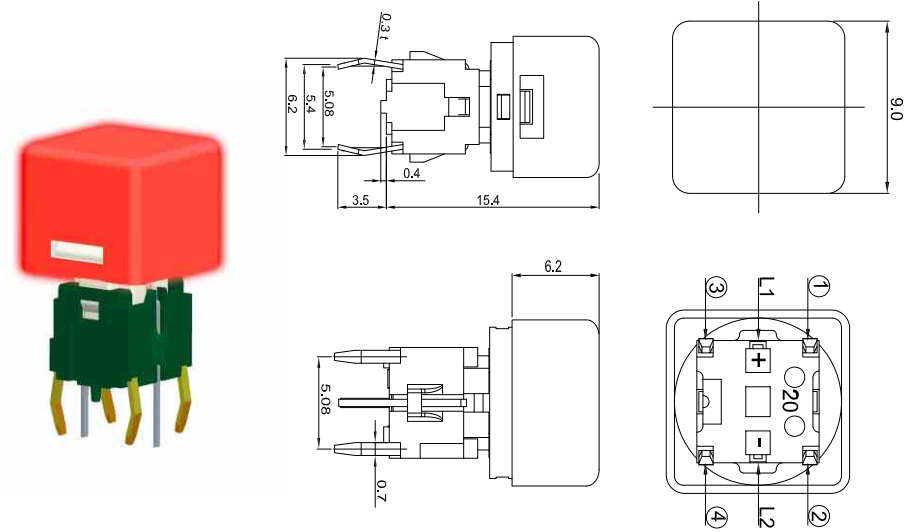
TL2

LED ILLUMINATED TACTILE SWITCH

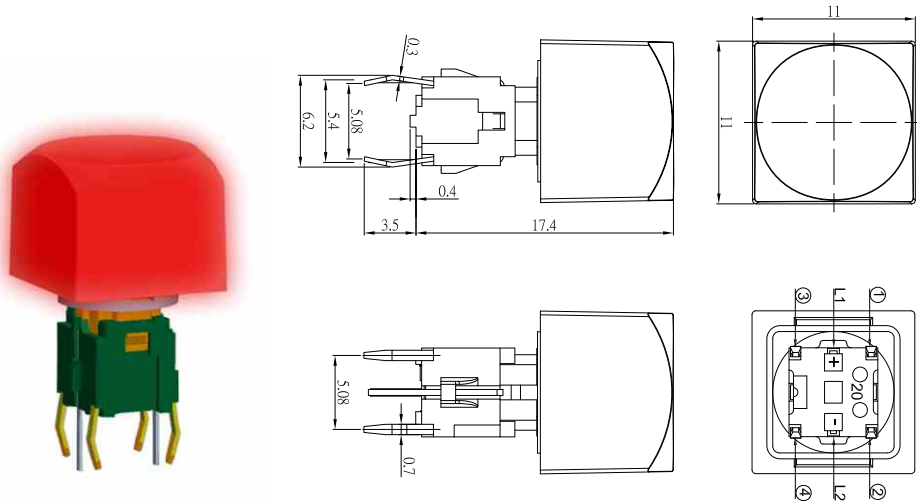
TL2-NNS1T-R1NN



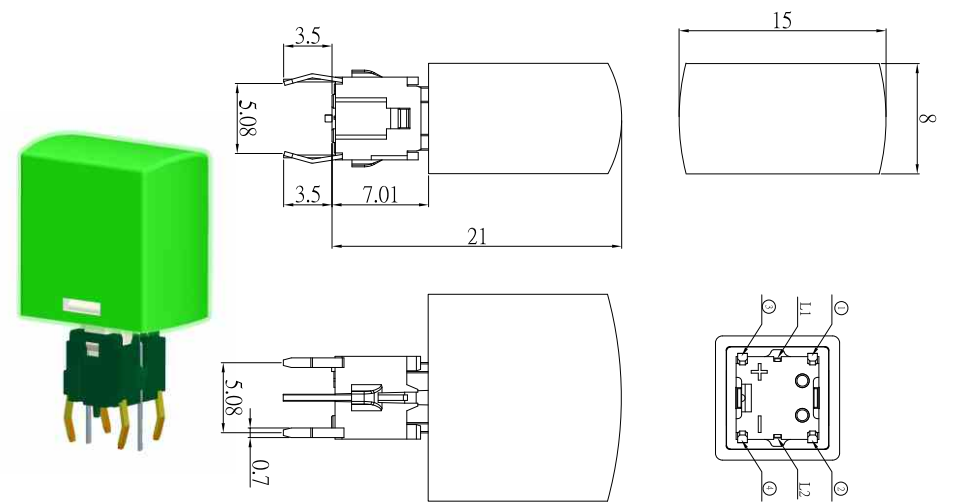
TL2-NNS7W-R1NN



TL2-NNS7WT-R1NN



TL2-NNS8W-G1NN





Laser Service

先进镭射雕刻服务，精密不失真。

Feature:

Lak-View's products are always the best choice and provide additional product value.

We focus interest, make the product recognizable and improve product image.

Customers can make pattern, logo, characters and even the design on their own.

Convenience, Short time to market, Quality, Beauty and more than one hundred kinds of designs are available to satisfy our customers.

No expenses for ink or additional materials due to laser printing. Does not fade or change color.

Application:

Public building, Security system, Business building, Industrial equipment, Communication equipments, Audio/Video products...etc.

