

小巧精品，安静无声

Exquisite Fine Quality, Silent operation

PLE Series illuminated pushbutton



Features:

- Snap in panel mount installation
- Durable, vivid LED illumination
- Choice of painted colored caps.
- Laser marking service.
- Available with wires soldered to terminal

产品特点

- 安装方便，节省空间
- LED照光颜色丰富，耐久鲜明
- 客制化帽盖选择，镭射雕刻服务
- 可提供焊接线材整套方案

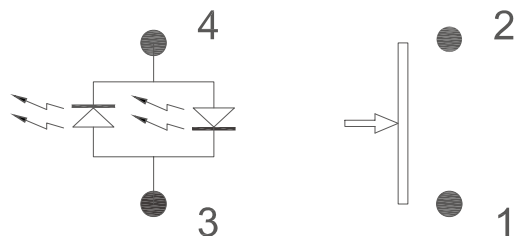
Applications

- Automotive industry
- Office appliance
- Communication equipments
- Racing helmet... etc.

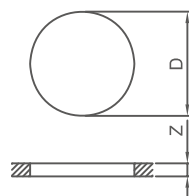
General Specifications: (产品规格)

Function: Momentary Type, SPST with led
Contact Rating: 0.1A 30V DC
Contact Resistance: 50mΩ Max. 1.5V DC/ 100 mA, by method of Voltage drop
Insulation Resistance: 100MΩ Min. 500 V DC
Dielectric Strength: Breakdown is not allowable; 500V AC for 1 minute
Actuation Force: 250 ± 100gf
Total Travel: 1.3mm ± 0.3mm
Operating Life: 50,000 cycles
Operating Temperature: -20° C to 70° C

LED CIRCUIT DIAGRAM



PANEL CUT OUT



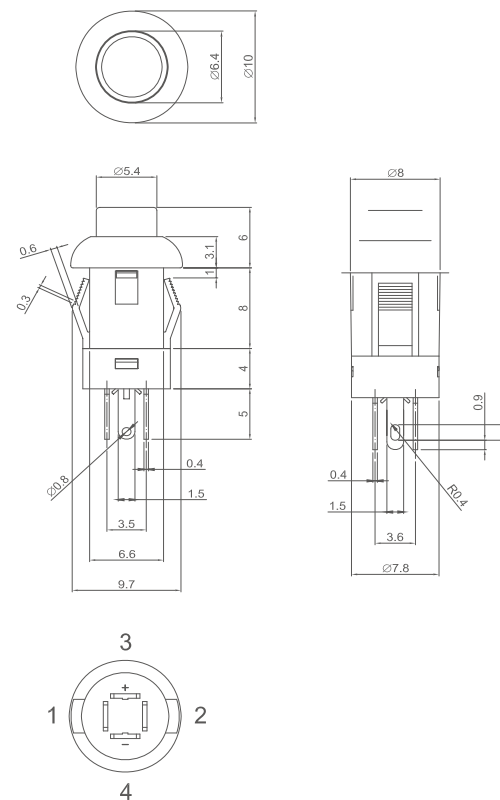
Z	D
1.0 ~ 2.0	8.0 ~ 8.2
2.0 ~ 2.5	8.2 ~ 8.4
2.5 ~ 3.0	8.4 ~ 8.6

HOW TO ORDER

SERIES	OPERATION	POLE	TERMINAL	LED COLOR	LED BRIGHTNESS	LED COLOR	LED BRIGHTNESS	CAP SYMBOL
PLE	N	1	W	R	1	N	N	P5
	N=NON-LOCK	1=1 POLE	W=WIRE TYPE	B=BLUE G=GREEN R=RED Y=YELLOW W=WHITE N=NONE	1=STANDARD 2=HIGH N=NONE	B=BLUE G=GREEN R=RED Y=YELLOW W=WHITE N=NONE	1=STANDARD 2=HIGH N=NONE	

CAP Symbol: Please refer to cap selection for all available symbols on cap surface, and any customization is welcomed

PLE-N1W-Y1NN



Laser Service

先进镭射雕刻服务，精密不失真。

Feature:

Lak-View's products are always the best choice and provide additional product value.

We focus interest, make the product recognizable and improve product image.

Customers can make pattern, logo, characters and even the design on their own.

Convenience, Short time to market, Quality, Beauty and more than one hundred kinds of designs are available to satisfy our customers.

No expenses for ink or additional materials due to laser printing. Does not fade or change color.

Application:

Public building, Security system, Business building, Industrial equipment, Communication equipments, Audio/Video products...etc.

CAP Symbol



	0	1	2	3	4	5	6	7	8	9	10	11	12	13	14	15	16	17	18	19	
A	0	1	2	3	4	5	6	7	8	9	10	11	12	13	14	15	16	17	18	19	
B	A	B	C	D	E	F	G	H	I	J	K	L	M	N	O	P	Q	R	S	T	
C	U	V	W	X	Y	Z	V1	V2	V3	V4	V5	V6	V7	V8	V9	F1	F2	F3	F4	F5	
D	F6	F7	GO	OK	WIN	ESC	MENU	BRIGHT	LAYOUT	TAKE	INVERT	LIGHT	SDI	VGA	DVI	PIP	P/F	Out-K	In-A	In-B	
E	M1	SAVE	SPLIT	HDMI	LOAD	Set	Menu	Win	In	Out	Load	Save	RTMP	PGM1	PGM2	PVW	MIX	PUSH	COVER	WIPE	
F	V1 ▲	VGA ◀	H1 ▼	H2 ▶	DVI ①	HDMI ②	EXT1 ③	EXT2 ④	VGA ⑤	CVBS ⊖	M6 Ⓢ	DDR1 PLAY	PPT On\Off	REC PGM	DDR2 PLAY	PAGE UP	PAGE DOWN	M Prew Switch	In-A K-Out1	Overlay Fade	
G	TAKE 0	VID1 1	VID2 2	VGA1 3	VGA2 4	HDMI 5	FREEZE SAVE	RETURN SHIFT	BLACK ERASE	Auto Take	Bypass	Freeze	Mosaic	VOLUME UP ▲	VOLUME DOWN ▼	SELECT TRANS	INPUT SETUP	PTZ PRESET	PLAY BACK	REAL TIME	
H	In1	In2	In3	In4	M+	M1	M2	M3	CH1	CH2											ROHS compliant
I																					
J																					
K																					
L																					
M																					
N																					