

TL12 Series illuminated tactile



活力宽屏，照光均匀

Vibrant large window, Super smooth illumination

Features:

Sound clearly & Excellent contact feeling
Super bright LED, Smooth illuminated
Choice of colored caps.
Choice of painted colored caps.
Laser marking service.

产品特点

声音干脆 & 手感绝佳
超高亮LED照光，耐久鲜明
客制化帽盖选择，可提供符号多彩转印服务

Applications

Studio equipment.
Audio/Video products,
Broadcast system,
Instrumentation, .
Telecommunications ... etc.

使用范围

音响、影像等录音室器材设备
广播系统、电信仪器设备

General Specifications: (产品规格)

Contact Rating: 50mA 12V DC

Contact Resistance: 100mΩ Max. (initial)

Insulation Resistance: 100MΩ Min.500 V DC

Dielectric Strength:Breakdown is not allowable;
250V AC for 1 minute

Actuation Force: 250 ± 50gf

Total Travel:0.4mm ± 0.15mm

Operating Life: 500,000 cycles Min.

Operating Temperature: -20° C to 70° C

Material: (产品材质)

Cover: Polycarbonate(PC)

Actuator: Polyamide(PA)+GF

Base Frame:Polyamide(PA)+GF

Terminal:Brass with gold plating

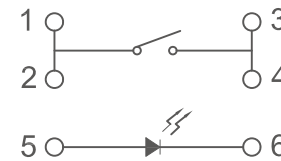
Cap Choice more than ONE

HOW TO ORDER

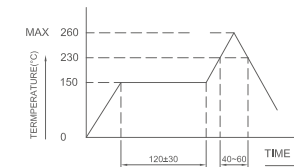
SERIES	FRAME TYPE	PLATE COLOR	CAP TYPE	CAP COLOR	LED COLOR	LED BRIGHTNESS	LED COLOR	LED BRIGHTNESS	TERMINAL	CAP SYMBOL
TL12	S	W	S	T	R	1	G	2		
	S=SQUARE R=ROUND	W=WHITE B=BLUE G=GREEN R=RED Y=YELLOW N=NONE	S=SQUARE S1=S1 sq S2=S2 sq S3=S3 sq R=ROUND N=NONE S4=S4sq S5=S5sq S6=S6sq S7=S7sq	T=TRANSPARENT S=SILVER N=NONE	B=BLUE G=GREEN R=RED Y=YELLOW W=WHITE N=NONE	1=STANDARD 2=HIGH N=NONE	B=BLUE G=GREEN R=RED Y=YELLOW W=WHITE N=NONE	1=STANDARD 2=HIGH N=NONE	—=P.C.B TYPE S=SMT TYPE	

CAP Symbol:Please refer to cap selection for all available symbols on cap surface,and any customization is welcomed

CIRCUIT

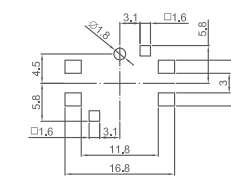


REFLOW SOLDERING

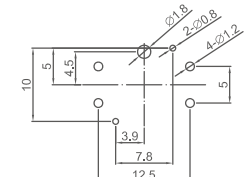


P.C.B LAYOUT

SMT TYPE



P.C.B TYPE

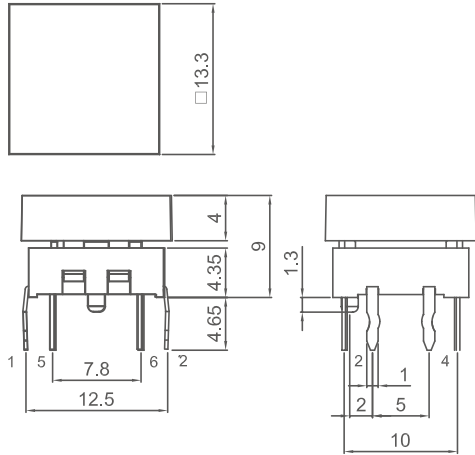


	S4A Type	S4B Type	S4C Type	S4D Type	S4E Type	R Type	R1 Type	R2 Type
Shape								
Dimension								

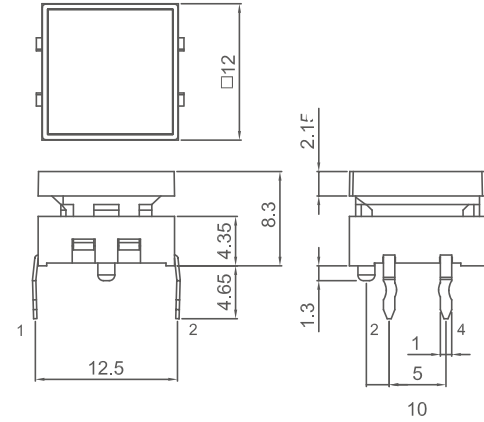


TL12

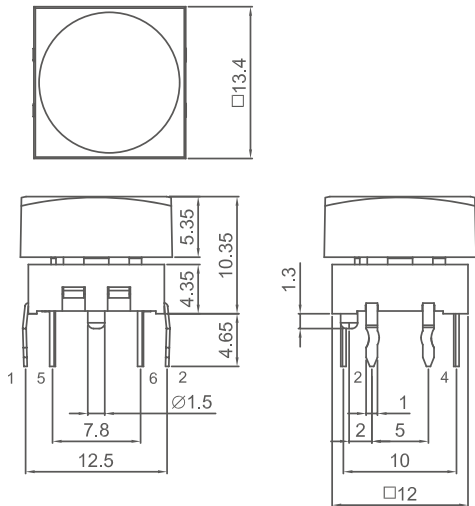
TL12-SWST-G1NN :.



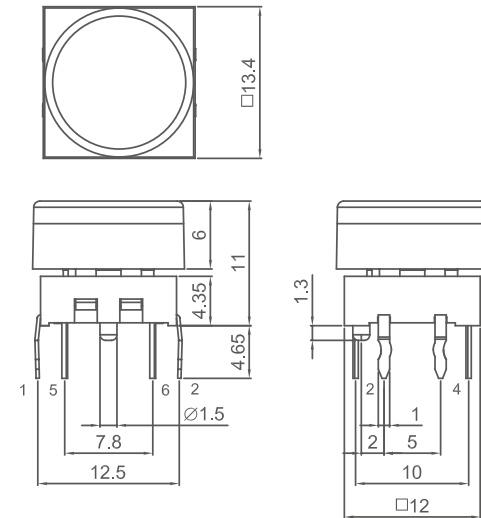
TL12-SWNN-NNNN :.



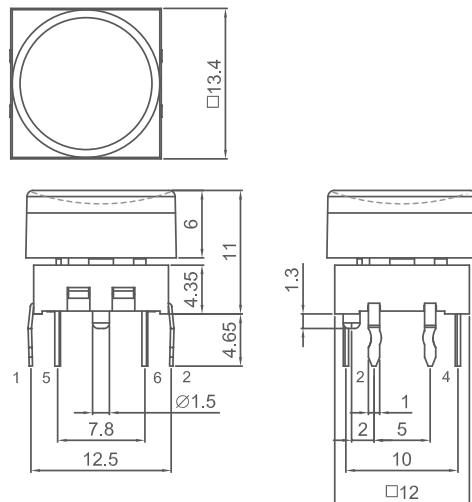
TL12-SWS1T-Y1NN :.



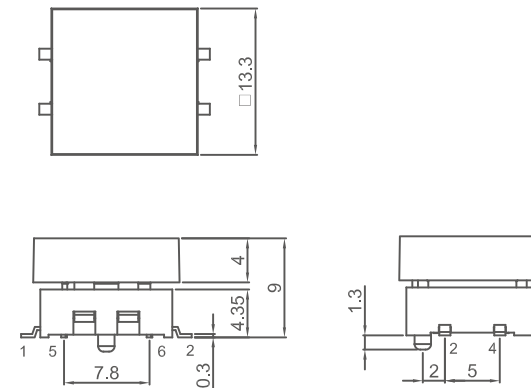
TL12-SWS2T-R1NN :.



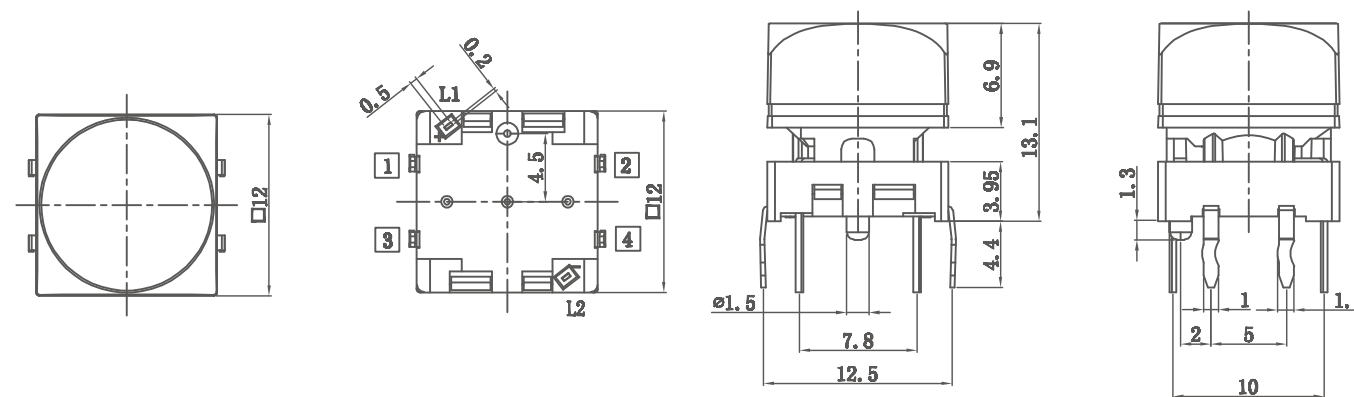
TL12-SWS3T-B1NN :.



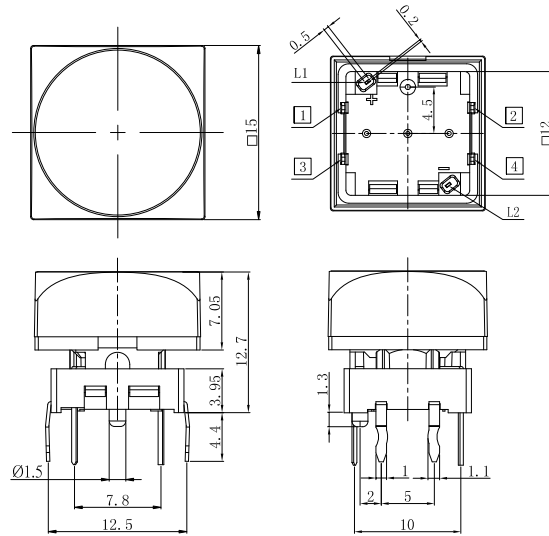
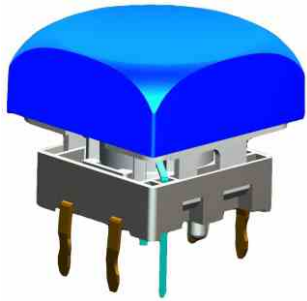
TL12-SWST-R1NNS :.



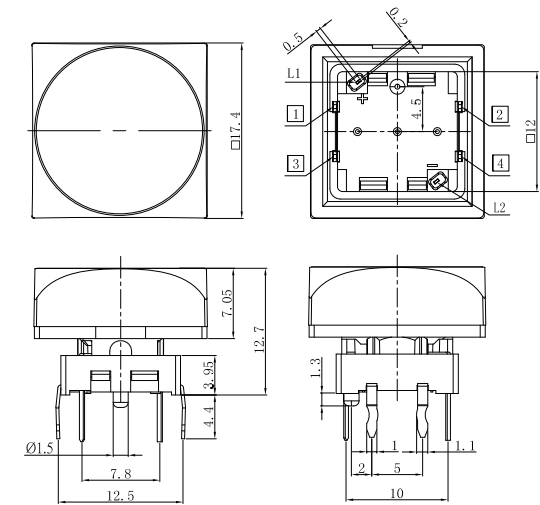
TL12-SWS4T-R1NN :.



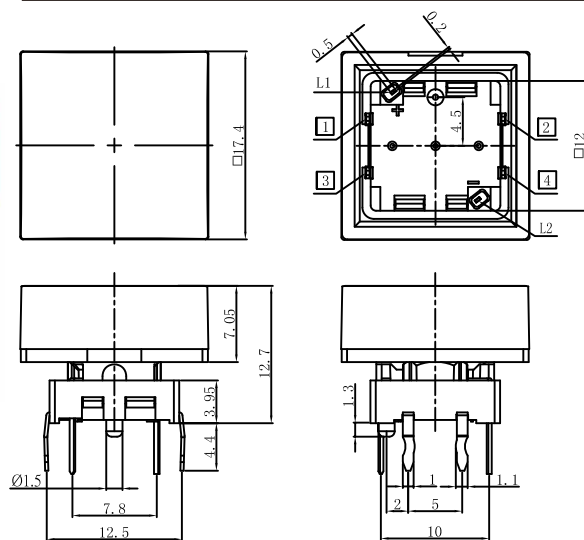
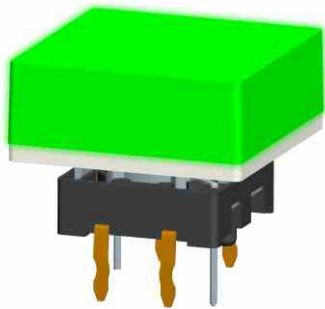
TL12-SWS5T-B1NN



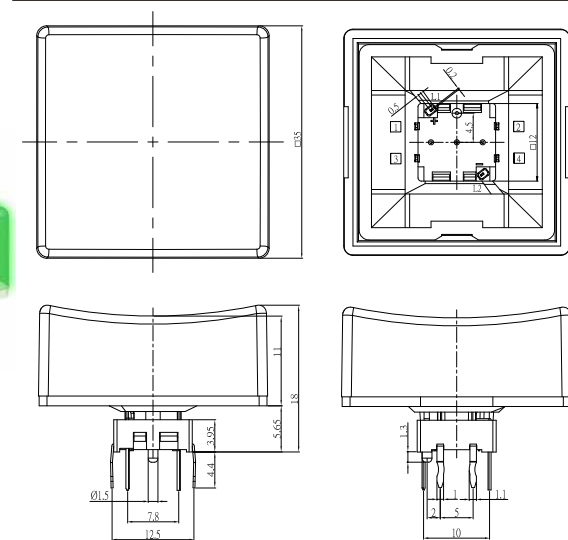
TL12-SWS6T-R1NN



TL12-SWS6AT-G1NN



TL12-SWS7T-G1NN



Laser Service

先进镭射雕刻服务，精密不失真。

Feature:

Lak-View's products are always the best choice and provide additional product value.

We focus interest, make the product recognizable and improve product image.

Customers can make pattern, logo, characters and even the design on their own.

Convenience, Short time to market, Quality, Beauty and more than one hundred kinds of designs are available to satisfy our customers.

No expenses for ink or additional materials due to laser printing. Does not fade or change color.

Application:

Public building, Security system, Business building, Industrial equipment, Communication equipments, Audio/Video products...etc.

