**Features:**

Right angle PCB pin mounted switch
With latching or momentary configuration options
2 or 4 pole options
RGB color options are available

产品特点：

超高亮LED照光，耐久 鲜明
镭雕雕刻服务
手感绝佳，质量可靠

使用范围：

时尚消费产品
仪器通讯、居家等...

Applications:

Computer products
Instrumentation
communication equipments...etc.

! PLF

Applications

Computer products

Instrumentation

Communication equipments ... etc.

General Specifications: (产品规格)

Function: 2P2T, 4P2T Lock/Non-lock Action with LED

Contact Rating: 0.3A 30V DC

Contact Resistance: 20mΩ Max. 1.5V DC/ 100 mA,
by method of Voltage drop

Insulation Resistance: 100MΩ Min. 500 V DC

Dielectric Strength: Breakdown is not allowable;
500V AC for 1 minute

Actuation Force: 200 ± 100gf

Total Travel: 2.5mm ± 0.3mm; 3.3mm ± 0.3mm

Operating Life: 10,000 cycles

Operating Temperature: -20° C to 70° C

Material: (产品材质)

Cover: Polyoxymethylen (POM)

Actuator: Polyoxymethylen (POM)

Base Frame: Polyamide (PA) + GF

Terminal: Brass Silver Plating

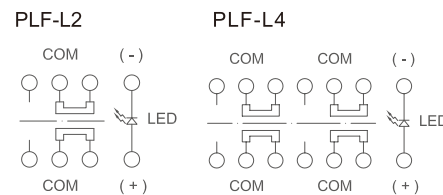


HOW TO ORDER

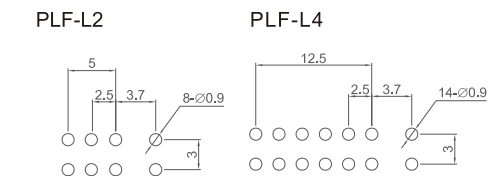
SERIES	OPERATION	POLE	LED COLOR	LED BRIGHTNESS	LED COLOR	LED BRIGHTNESS	ACTUATOR TYPE	CAP COLOR	CAP SYMBOL
PLF	N	2	R	1	R	2	A	T	P5
	N=NON-LOCK L=LOCK	2=2 POLE 4=4 POLE	B=BLUE G=GREEN R=RED Y=YELLOW W=WHITE N=NONE	1=STANDARD 2=HIGH N=NONE	B=BLUE G=GREEN R=RED Y=YELLOW W=WHITE N=NONE	1=STANDARD 2=HIGH N=NONE	A=A TYPE B=B TYPE N=NONE	T=TRANSPARENT N=NONE	

CAP Symbol: Please refer to cap selection for all available symbols on cap surface, and any customization is welcomed

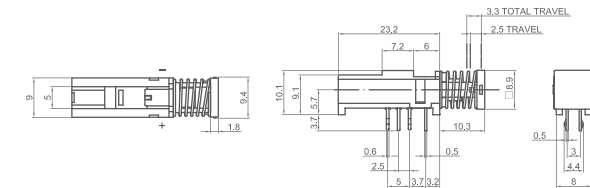
CIRCUIT



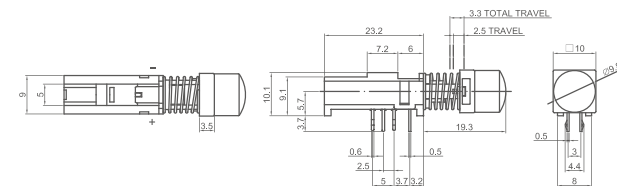
P. C. B LAYOUT



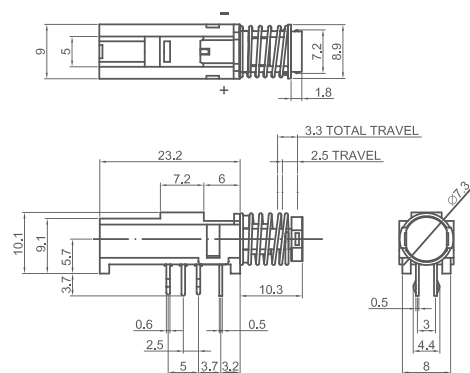
PLF-L2B1B1-AN



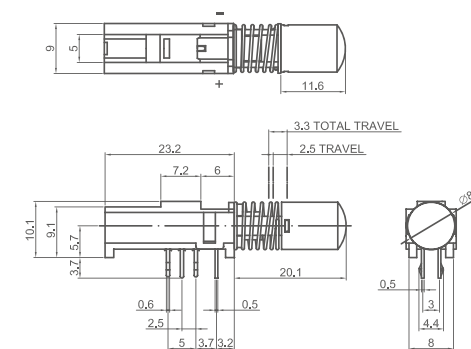
PLF-L2G1G1-AT



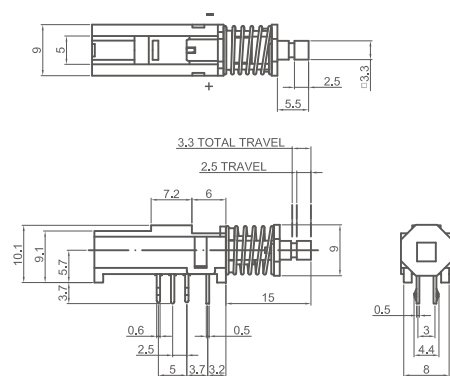
PLF-L2R1R1-BN



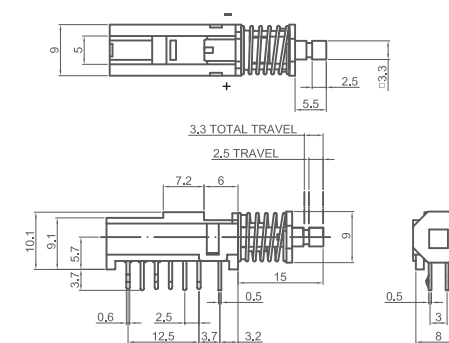
PLF-L2Y1Y1-BT



PLF-N2B1NN-NN



PLF-L4Y1NN-NN



Laser Service

先进镭射雕刻服务，精密不失真。

Feature:

Lak-View's products are always the best choice and provide additional product value.

We focus interest, make the product recognizable and improve product image.

Customers can make pattern, logo, characters and even the design on their own.

Convenience, Short time to market, Quality, Beauty and more than one hundred kinds of designs are available to satisfy our customers.

No expenses for ink or additional materials due to laser printing. Does not fade or change color.

Application:

Public building, Security system, Business building, Industrial equipment, Communication equipments, Audio/Video products...etc.

CAP Symbol



	0	1	2	3	4	5	6	7	8	9	10	11	12	13	14	15	16	17	18	19		
A	0	1	2	3	4	5	6	7	8	9	10	11	12	13	14	15	16	17	18	19		
B	A	B	C	D	E	F	G	H	I	J	K	L	M	N	O	P	Q	R	S	T		
C	U	V	W	X	Y	Z	V1	V2	V3	V4	V5	V6	V7	V8	V9	F1	F2	F3	F4	F5		
D	F6	F7	GO	OK	WIN	ESC	MENU	BRIGHT	LAYOUT	TAKE	INVERT	LIGHT	SDI	VGA	DVI	PIP	P/F	Out-K	In-A	In-B		
E	M1	SAVE	SPLIT	HDMI	LOAD	Set	Menu	Win	In	Out	Load	Save	RTMP	PGM1	PGM2	PVW	MIX	PUSH	COVER	WIPE		
F	V1 ▲	VGA ◀	H1 ▼	H2 ▶	DVI ①	HDMI ②	EXT1 ③	EXT2 ④	VGA ⑤	CVBS ⊖	M6 Ⓢ	DDR1 PLAY	PPT On\Off	REC PGM	DDR2 PLAY	PAGE UP	PAGE DOWN	M Prew Switch	In-A K-Out1	Overlay Fade		
G	TAKE 0	VID1 1	VID2 2	VGA1 3	VGA2 4	HDMI 5	FREEZE SAVE	RETURN SHIFT	BLACK ERASE	Auto Take	Bypass	Freeze	Mosaic	VOLUME UP ▲	VOLUME DOWN ▼	SELECT TRANS	INPUT SETUP	PTZ PRESET	PLAY BACK	REAL TIME		
H	In1	In2	In3	In4	M+	M1	M2	M3	CH1	CH2											ROHS compliant	
I																						
J																						
K																						
L																						
M																						
N																						